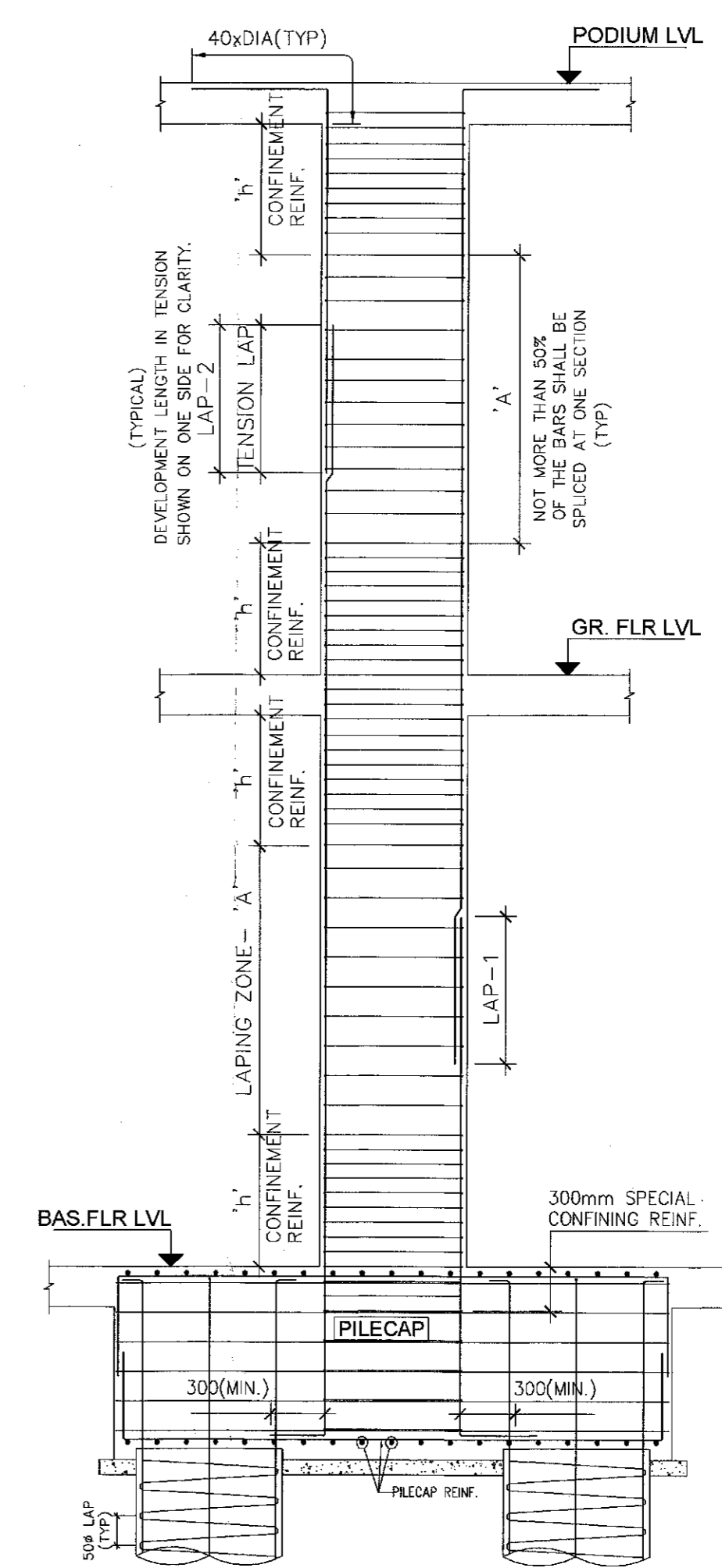


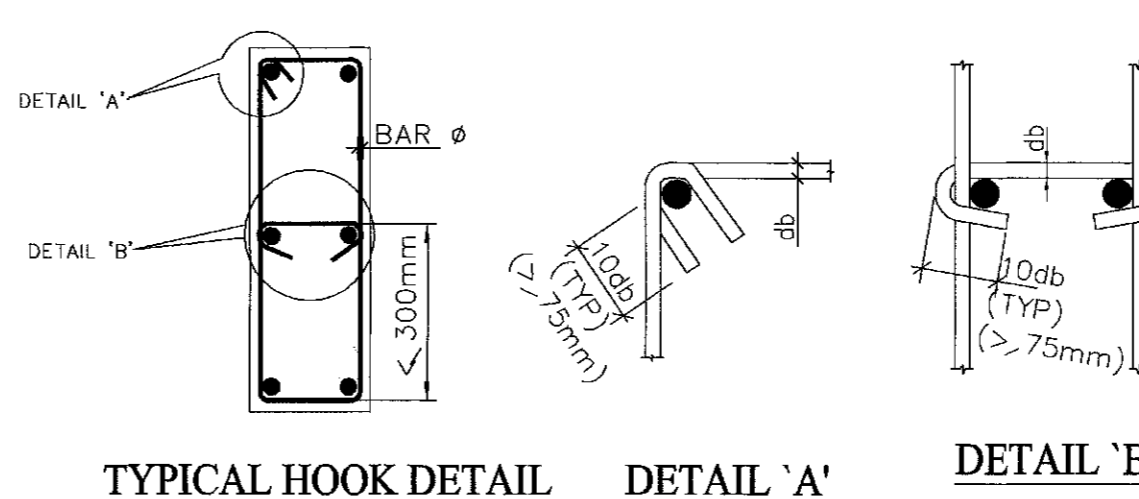
MAIN BARS	●-12T20, ○-04T16	●-04T32, ○-10T25	●-04T25, ○-18T20	●-18T20, ○-04T16	●-12T16,	●-16T20,	●-04T20, ○-12T16	●-16T32, ○-02T25	●-12T32, ○-06T25	●-22T32,
TIES	T8@200/C	T8@200/C	T8@200/C	T8@200/C	T8@200/C	T8@200/C	T8@200/C	T8@200/C	T8@200/C	T8@200/C
CONFINEMENT STEEL	T10@75C/C	T10@100C/C	T8@80C/C	T8@80C/C	T8@75C/C	T10@75C/C	T8@85C/C	T8@85C/C	T10@100C/C	T8@80C/C
CONFINEMENT HEIGHT 'h'	h'=925mm	h'=925mm	h'=1200mm	h'=1200mm	h'=925mm	h'=925mm	h'=925mm	h'=925mm	h'=925mm	h'=925mm
PODIUM LVL TO ROOF										
MAIN BARS	●-16T16,	●-04T25, ○-10T20	●-04T20, ○-18T16	●-22T16,	●-12T16,	●-16T16,	●-04T16, ○-12T12	●-16T25, ○-02T20	●-12T25, ○-06T20	●-18T20,
TIES	T8@200/C	T8@200/C	T8@200/C	T8@200/C	T8@200/C	T8@200/C	T8@200/C	T8@200/C	T8@200/C	T8@200/C
CONFINEMENT STEEL	T10@75C/C	T10@100C/C	T8@80C/C	T8@80C/C	T8@75C/C	T10@75C/C	T8@85C/C	T8@85C/C	T10@100C/C	T8@80C/C
CONFINEMENT HEIGHT 'h'	h'=850mm	h'=600mm	h'=1200mm	h'=1200mm	h'=600mm	h'=850mm	h'=900mm	h'=900mm	h'=900mm	h'=900mm
GR.FLOOR LVL TO PODIUM LVL										
MAIN BARS	●-16T16,	●-04T20, ○-10T16	●-22T16,	●-22T16,	●-12T16,	●-16T16,	●-04T16, ○-12T12	●-18T20,	●-12T20, ○-06T15	●-18T20,
TIES	T8@200/C	T8@200/C	T8@200/C	T8@200/C	T8@200/C	T8@200/C	T8@200/C	T8@200/C	T8@200/C	T8@200/C
CONFINEMENT STEEL	T10@75C/C	T10@100C/C	T8@80C/C	T8@80C/C	T8@75C/C	T10@75C/C	T8@85C/C	T8@85C/C	T10@100C/C	T8@80C/C
CONFINEMENT HEIGHT 'h'	h'=850mm	h'=600mm	h'=1200mm	h'=1200mm	h'=600mm	h'=850mm	h'=900mm	h'=900mm	h'=900mm	h'=900mm
FROM PILECAP TO GR.FLOOR LVL										
COLUMN TYPE	PC15 - 1No.	PC16 - 2Nos.	PC18 - 1No.	PC19 - 1No.	PC20 - 1No.	PC21 - 1No.	PC21A - 1No.	PC22 - 2Nos.	PC24 - 1No.	PC25 - 1No.
COLUMN GRIDS	CONCRETE MIX									



MAIN BARS	●-16T20,	●-16T20,	●-04T20, ○-12T16	●-12T20, ○-02T16	●-08T25, ○-06T20	●-18T32, ○-04T25	●-16T16,
TIES	T8@200/C	T8@200/C	T8@200/C	T8@200/C	T8@200/C	T8@200/C	T8@200/C
CONFINEMENT STEEL	T10@75C/C	T10@75C/C	T10@75C/C	T10@75C/C	T10@85C/C	T8@80C/C	T10@100C/C
CONFINEMENT HEIGHT 'h'	h'=925mm	h'=925mm	h'=925mm	h'=925mm	h'=925mm	h'=925mm	h'=925mm
PODIUM LVL TO ROOF							
MAIN BARS	●-16T16,	●-04T20, ○-12T16	●-08T16, ○-08T12	●-14T16,	●-08T20, ○-06T16	●-18T25,	●-16T16,
TIES	T8@200/C	T8@200/C	T8@200/C	T8@200/C	T8@200/C	T8@200/C	T8@200/C
CONFINEMENT STEEL	T10@75C/C	T10@75C/C	T10@75C/C	T10@75C/C	T10@85C/C	T8@80C/C	T10@100C/C
CONFINEMENT HEIGHT 'h'	h'=850mm	h'=900mm	h'=900mm	h'=750mm	h'=750mm	h'=900mm	h'=800mm
GR.FLOOR LVL TO PODIUM LVL							
MAIN BARS	●-04T16, ○-12T12	●-16T16,	●-08T16, ○-08T12	●-14T16,	●-14T16,	●-18T20, ○-04T16	●-22T16,
TIES	T8@200/C	T8@200/C	T8@200/C	T8@200/C	T8@200/C	T8@200/C	T8@200/C
CONFINEMENT STEEL	T10@75C/C	T10@75C/C	T10@75C/C	T10@75C/C	T10@85C/C	T8@85C/C	T8@85C/C
CONFINEMENT HEIGHT 'h'	h'=850mm	h'=900mm	h'=900mm	h'=750mm	h'=750mm	h'=1150mm	h'=1250mm
FROM PILECAP TO GR.FLOOR LVL							
COLUMN TYPE	PC26 - 1No.	PC28 - 1No.	PC29 - 1No.	PC30 - 1No.	PC31 - 1No.	PC36 - 2Nos.	PC37 - 1No.
COLUMN GRIDS	CONCRETE MIX				X31, S/G		

MAIN BARS	●-04T16, ○-08T12	●-06T20, ○-14T16	●-08T16, ○-08T12	●-16T16,	●-08T25, ○-06T20
TIES	T8@200/C	T8@200/C	T8@200/C	T8@200/C	T8@200/C
CONFINEMENT STEEL	T8@80C/C	T8@80C/C	T8@80C/C	T8@100C/C	T8@100C/C
CONFINEMENT HEIGHT 'h'	h'=600mm	h'=1200mm	h'=700mm	h'=600mm	h'=600mm
FROM PILECAP TO GR.FLOOR LVL					
COLUMN TYPE	PC41 - 1No.	PC42 - 1No.	PC43 - 2Nos.	PC44 - 2Nos.	PC45 - 4Nos.
COLUMN GRIDS	CONCRETE MIX				

MAIN BARS	●-24T16, ○-08T12	●-24T16, ○-08T12	●-12T16,
TIES	T8@200/C	T8@200/C	T8@200/C
CONFINEMENT STEEL	T8@85C/C	T8@85C/C	T8@90C/C
CONFINEMENT HEIGHT 'h'	h'=1200mm	h'=1200mm	h'=600mm
FROM PILECAP TO GR.FLOOR LVL			
COLUMN TYPE	PC46 - 2Nos.	PC27 - 2Nos.	PC47 - 1No.
COLUMN GRIDS	CONCRETE MIX		



- SPECIFICATIONS:-**
- ALL DIMENSIONS ARE IN MILLIMETRES UNLESS OTHERWISE STATED.
  - ALL EXTERNAL WALLS ARE 200 TH & ALL INTERNAL WALLS ARE 125mm.
  - THE DEPTH OF S.U.G.W.R. & SEPTIC TANK SHALL NEVER EXCEED THE DEPTH OF FOUNDATION.
  - BRICK WORK 200 TH. MORTAR 1:6 & BRICK WORK 125 TH. MORTAR 1:4.
  - ALL R.C.C. WORKS M25 EXCEPT FOUNDATION M35.
  - GRADE OF STEEL FE 415 IS. CODE 1786-1979.
  - ALL SHORTS OF PRECAUTIONARY MEASURE WILL BE TAKEN AT THE TIME OF CONSTRUCTION.
  - OTHERS ITEM ARE AS PER I.S. SPECIFICATION.

DECLARATION OF GEO-TECHNICAL ENGINEER:

UNDERSIGNED HAS INSPECTED THE SITE AND CARRIED OUT SOIL INVESTIGATION THEREON. IT IS CERTIFY THAT THE EXISTING SOIL OF THE SITE IS ABLE TO CARRY THE LOAD COMING FROM THE PROPOSED CONSTRUCTION AND THE FOUNDATION SYSTEM PROPOSED HEREIN IS SAFE AND STABLE IN ALL RESPECT FROM GEO-TECHNICAL POINT OF VIEW.

*Jishnu Pal*  
**JISHNU PAL**  
 B.Tech (Civil), M.E (Geo-tech)  
 KMC Reg. No: G/1/1/32  
 GT 157/ N/K/D/A/10/0043  
 22/RJSON/G-T/1/2016-17  
 HMC Reg. No: EGTB/CLASS-1/15

SIGNATURE OF GEO-TECHNICAL ENG.  
 I HAVE REVIEWED / CHECKED THE STRUCTURAL DRAWING AND DESIGN DETAILS OF THIS PROJECT WHICH HAS BEEN DONE COMPLYING WITH HELD IN IS INCLUDING SEISMIC AND THE NATIONAL BUILDING CODE CERTIFY THAT THE STRUCTURE WILL BE SAFE & STABLE AGAINST ALL VERTICAL AND LATERAL LOADS AND WILL BE FIT FOR HABITABLE USE.

*Utpal Santra*  
**UTPAL SANTRA**  
 B.C.E., M.C.E. (STRUCT)  
 F.I.E. - 11/2004  
 KMC Empowered Structural Engineer  
 E.S.R. - (I) 5810

SIGNATURE OF STRUCTURAL ENGINEER

CERTIFICATE OF STRUCTURAL ENGINEER.  
 THIS IS TO CERTIFY THAT THE STRUCTURAL DESIGN AND DRAWING OF BOTH FOUNDATION AND SUPER STRUCTURE OF THE BUILDING HAS BEEN MADE BY ME CONSIDERING ALL POSSIBLE LOADS INCLUDING THE SEISMIC LOADS AS PER THE NATIONAL BUILDING CODE OF INDIA AND CERTIFIED THAT IT IS SAFE AND STABLE IN ALL RESPECTS.

*Sumita Dey*  
**SUMITA DEY**  
 M.C.E., M.I.B.E., C.E.  
 ESE/1/93

SIGNATURE OF STRUCTURAL ENGINEER

WE DO HEREBY UNDERTAKE WITH FULL RESPONSIBILITY THAT - (1) WE SHALL ENGAGE ARCHITECT & E.S.E. DURING CONSTRUCTION. (2) WE SHALL FOLLOW THE INSTRUCTION OF ARCHITECT & E.S.E. DURING CONSTRUCTION OF THE BUILDING (AS PER S.P. PLAN). (3) K.M.C. AUTHORITY WILL NOT BE RESPONSIBLE FOR STRUCTURAL STABILITY OF THE BUILDING & ADJOINING STRUCTURE. (4) IF ANY SUBMITTED DOCUMENTS ARE FOUND TO BE FAKE, THE K.M.C. AUTHORITY WILL REVOKE THE SANCTION PLAN. (5) THE CONSTRUCTION OF WATER RESERVOIR AND SEPTIC TANK WILL BE UNDER THE GUIDANCE OF ARCHITECT / E.S.E.

For Kolkata Metropolitan Development Authority

*Pratik Prasad*  
 Pratik Prasad  
 Constituted Attorney

SIGNATURE OF OWNER

HEREBY CERTIFY THAT THE ERECTION OF BUILDING ON PREMISES NO. P-10 C/1/2006/11/4, KOLKATA 700045 UNDER MY SUPERVISION. I ALSO CERTIFY THAT THE PROPOSED CHANGES IN LAYOUT HAS BEEN DRAWN AS PER PROVISION OF K.M.C. BUILDING RULES 2009.

*Subir Kumar Basu*  
**SUBIR KUMAR BASU**  
 Registered Architect  
 Regn. No. - CA7814375

SIGNATURE OF ARCHITECT  
**PROJECT:-**  
 PROPOSED ADDITION OF 4 NOS. FLOOR (HT-100.1 M) OVER AN EXISTING 3+4+27 STORED (3 NOS. TOWERS) RESIDENTIAL BUILDING WITH PODIUM AND G+V+G+VI STORED REHABILITATION BLOCK U/S 394 OF K.M.C. ACT 1980 READ WITH 69A(1)(a) ALONG WITH U/R 26(2a)&(2b) OF K.M.C. BUILDING RULE 2009 AT PREMISES NO. P-10 C/1/2006/11/4, MANICKTALA, WARD - 32, BOROUGH - III, KOLKATA - 700 054.

PREVIOUS B.P. NO. 2012030110, DATED 23.03.13.  
 SUBSEQUENTLY REVALUED FURTHER 5 YEARS

Architect:  
 Subir Kumar Basu  
 CONSULTING ARCHITECTS & ENGINEERS  
 4, BROAD STREET KOLKATA - 700019  
 website : www.subirkumarbasu.com

Scale:- AS SHOWN  
 Date 10.10.2023  
 Job No. 2338  
 Drawing No. CORP-S60-00-02

**PARTY'S COPY**

Structural plan and design calculation as submitted by the structural engineer have been kept with B.P. No. 2423-3-53 Date 19-10-23 for record of the Kolkata Municipal Corporation without verification. No deviation from the submitted structural plan should be made at the time of erection without submitting fresh structural plan along with design calculation and stability certificate in the prescribed form. Necessary steps should be taken for the safety of the adjoining premises public and private properties and safety of human life during construction.

*gpc* *pm*  
EXECUTIVE ENGINEER/ASST ENGINEER  
BOROUGH NO - 10

Necessary steps should be taken for the safety of the lives of the adjoining public and private properties during construction.

**RESIDENTIAL BUILDING**

Building Department  
Borough-III, K.M.C.,  
Date 19.10.23. Sign. *gpc*  
Contents Not Verified